

Picture shows HST-B1 60000 with variation code VC0000850.

Intended use

The bolt lock HST-B1 is used to block control elements in switchgear that are not part of the interlocking device. To this end, the locking bolt can extend into or retract from the recess in the control element of the switchgear, thus preventing or enabling the control element to be operated.

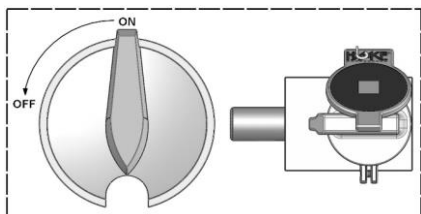
Other applications are prohibited.

Attention: Use of the bolt lock HST-B1 as a guard-locking mechanism is not permitted, because when the protective device is open, the locking bolt can slide out into nothing.

Function

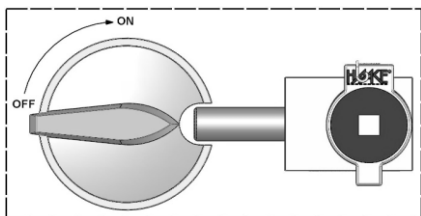
Power ON:

The key cannot be retracted.



Power OFF:

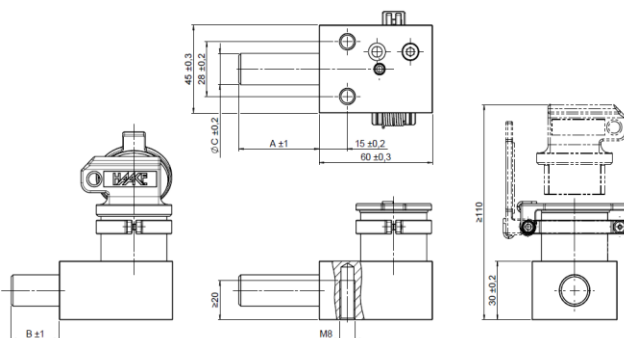
The key is free.



Technical data

Environment:	Indoor/ outdoor
Temperature range:	-25°C to +80°C
Humidity:	Up to 100% (standard climate)
Material:	Stainless Steel
Ambient atmosphere:	Industrial environments
Mounting position:	All positions
Mechanical service life:	280.000 actuations
Mission time:	15 years
MTTFd:	150 years
Bolt stroke:	18 mm ±1

Dimensions HST-B1: Mounting from behind



All dimensions in mm.

The figure shows a variant of the bolt lock. This variant is attached from the back. The direction and the dimensions of each variant is listed in the following table.

Article	Variation code	Direction	Dim. A	Dim. B	Dim. C
60000	VC0000850	left	18	0	16
60000	VC0000851	left	18	0	16
60000	VC0000852	left	24	6	16
60000	VC0000853	left	24	6	16
60000	VC0000854	left	44	26	16
60000	VC0000855	left	44	26	16
60000	VC0000856	right	18	0	16
60000	VC0000857	right	18	0	16
60000	VC0000858	right	24	6	16
60000	VC0000859	right	24	6	16
60000	VC0000860	right	44	26	16
60000	VC0000861	right	44	26	16

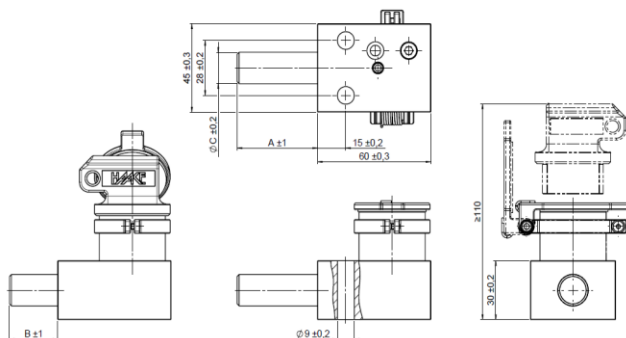
Table 1: Overview HST-B1, Mounting from behind

Haake Technik GmbH
 Master Esch 72
 48691 Vreden
 Germany

info@haake-technik.com
 www.haake-technik.com
 T: +49 (0) 2564 3965 0
 F: +49 (0) 2564 3965 90



Dimensions HST-B1 : Mounting from the front



All dimensions in mm.

The figure shows a variant of the bolt lock. This variant is attached from the back. The direction and the dimensions of each variant is listed in the following table.

Article	Variation code	Direction	Dim. A	Dim. B	Dim. C
60000	VC0000862	left	18	0	16
60000	VC0000863	left	18	0	16
60000	VC0000864	left	24	6	16
60000	VC0000865	left	24	6	16
60000	VC0000866	left	44	26	16
60000	VC0000867	left	44	26	16
60000	VC0000868	right	18	0	16
60000	VC0000869	right	18	0	16
60000	VC0000870	right	24	6	16
60000	VC0000871	right	24	6	16
60000	VC0000872	right	44	26	16
60000	VC0000873	right	44	26	16

Table 2: Overview HST-B1, Mounting from the front



Haake Technik GmbH
 Master Esch 72
 48691 Vreden
 Germany

info@haake-technik.com
 www.haake-technik.com
 T: +49 (0) 2564 3965 0
 F: +49 (0) 2564 3965 90