

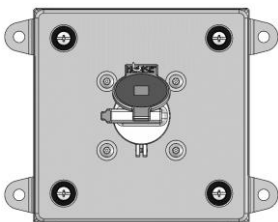
Picture shows HST-SA1 with variation code VC0001755.

Intended use

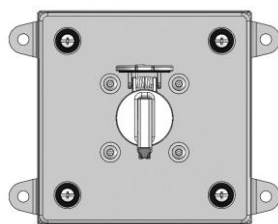
The key operated switch HST-SA1 is used to switch off the power supply to the load circuits of machines or plants without shutoff delays, with rated currents up to 20A.

Other applications are prohibited.

Function



Position 1: Switch key cannot be removed.



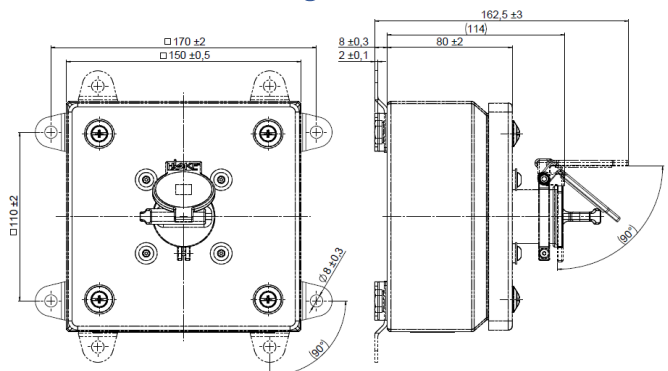
Position 0: Switch key can be removed.

Article	Variation code	Pin connections	Amperage
60054	VC0001755	1 NC / 1 NO	20 A
60054	VC0001757	2 NC / 2 NO	20 A
60054	VC0001759	4 NO	20 A

Technical data

Environment:	Indoor/outdoor
Temperature range:	-20°C to +40°C
Humidity:	Up to 100% (standard climate)
Material	
Lock:	Stainless steel
Mounting plate:	Galvanised steel
Earthing plate:	Galvanised steel
Housing:	Powder-coated sheet steel
Ambient atmosphere:	Industrial environments
Mounting position:	All positions
Mechanical service life	
Lock:	280.000 actuations
Switch:	1.000.000 actuations
Mission time:	15 years
B10d-values	
Switch;	
Rated operating current	
16/20 A:	36.000 switching operations
Switch;	
for 24 V DC and 0,21 A:	1.000.000 (in conjunction with PNOZ X3)
MTTFd:	Depending on application
Protection class:	IP 65
Reference standard for rotary switch:	EN 60947-3

Dimensions housing version HST-SA1



All dimensions in mm.

Haake Technik GmbH
Master Esch 72
48691 Vreden
Germany

info@haake-technik.com
www.haake-technik.com
T: +49 (0) 2564 3965 0
F: +49 (0) 2564 3965 90