

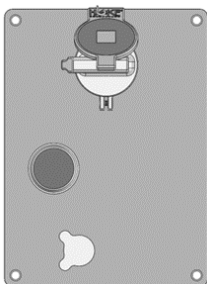
Picture shows HST-ME1 with variation code VC0001787.

Intended use

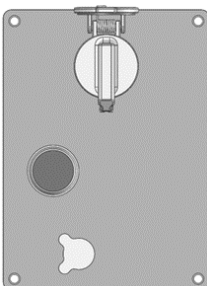
The solenoid controlled switch HST-ME1 is used to switch off the power supply to the load circuits of machines or plants with shut-off delays, with rated currents up to 20A.

Other applications are prohibited.

Function



Position 1:
Switch key blocked by locking mechanism. Key cannot be removed.



Position 0:
Switch key released and can be removed.

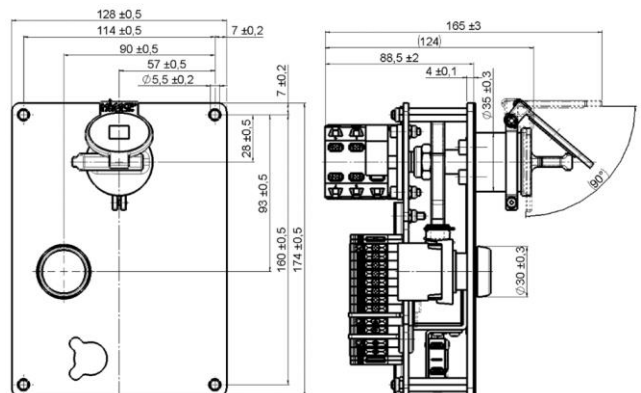
Article	Variation code	Pin connections	Power supply
60056	VC0001787	2 NC / 2 NO	24 VDC
60056	VC0001789	2 NC / 2 NO	220 VDC
60056	VC0001790	2 NC / 2 NO	230 VAC
60056	VC0001791	4NC	24 VDC



Technical data

Environment:	Indoor/outdoor
Temperature range:	-20°C to +40°C
Humidity:	Up to 100% (standard climate)
Material	
Lock:	Stainless steel
Mounting plate:	Galvanised steel
Earthing plate:	Galvanised steel
Ambient atmosphere:	Industrial environments
Mounting position:	All positions
Mechanical service life	
Lock:	280.000 actuations
Switch:	1.000.000 actuations
Mission time:	15 years
B10d-values	
Switch;	
Rated operating current 16/20 A:	36.000 switching operations
Switch;	1.000.000
for 24 V DC and 0,21 A:	(in conjunction with PNOZ X3)
MTTFd:	Depending on Application
Protection class:	IP 2x
Reference standard for rotary switch:	EN 60947-3

Dimensions built-in version HST-ME1



All dimensions in mm.

Haake Technik GmbH
Master Esch 72
48691 Vreden
Germany

info@haake-technik.com
www.haake-technik.com
T: +49 (0) 2564 3965 0
F: +49 (0) 2564 3965 90