

Picture shows HST-ME2 with variation code VC0001788.

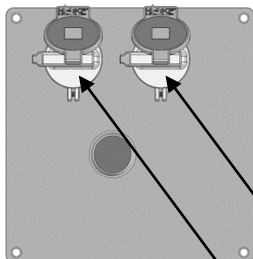
Intended use

The solenoid controlled switch HST-ME2 is used to switch off the power supply to the load circuits of machines or plants with shut-off delays, with rated currents up to 20A.

If the coded switch key is in position 0, the coded key change can be turned and removed.

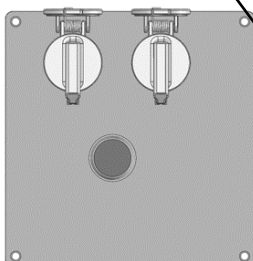
Other applications are prohibited.

Function



Position 1:
Switch key and key change blocked by locking mechanism. Keys cannot be removed.

Change key



Switch key

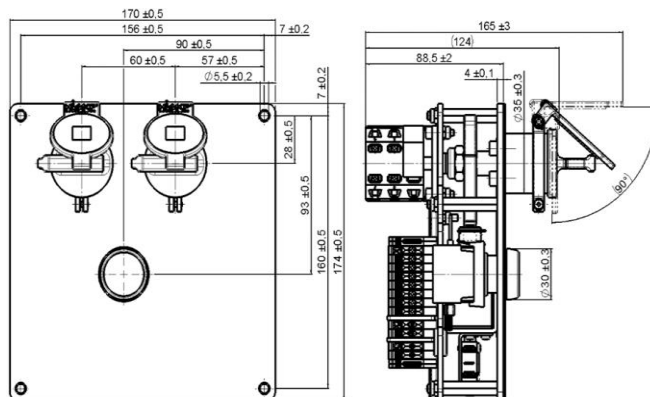
Position 0:
Switch key and change key released and can be removed.

Article	Variation code	Pin connections	Power supply
60056	VC0001788	2 NC / 2 NO	24 VDC
60056	VC0001792	2 NC / 2 NO	230 VAC

Technical data

Environment:	Indoor/outdoor
Temperature range:	-20°C to +40°C
Humidity:	Up to 100% (standard climate)
Material	
Lock:	Stainless steel
Mounting plate:	Galvanised steel
Earthing plate:	Galvanised steel
Ambient atmosphere:	Industrial environments
Mounting position:	All positions
Mechanical service life	
Lock:	280.000 actuations
Switch:	1.000.000 actuations
Mission time:	15 years
B10d-values	
Switch;	
Rated operating current	
16/20 A;	36.000 switching operations
Switch;	1.000.000
for 24 V DC and 0,21 A:	(in conjunction with PNOZ X3)
MTTFd:	Depending on Application
Protection class:	IP 2x
Reference standard for rotary switch:	EN 60947-3

Dimensions built-in version HST-ME2



All dimensions in mm.



Haake Technik GmbH
Master Esch 72
48691 Vreden
Germany

info@haake-technik.com
www.haake-technik.com
T: +49 (0) 2564 3965 0
F: +49 (0) 2564 3965 90