

Picture shows HST-TS1 with variation code VC0000931 and HST-TS1 with variation code VC0000929.

Intended use

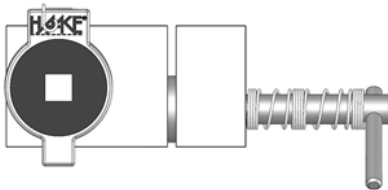
The access lock HST-TS1 with an adjacent Actuator serves as access protection and can be used on separating safeguards such as swing doors and sliding doors or flaps. The Actuator can be removed by operating the HST-TS1, whereby the safeguard can be opened.

In conjunction with other components (key transfer system), it can be ensured that no danger areas can be reached after opening the safeguard.

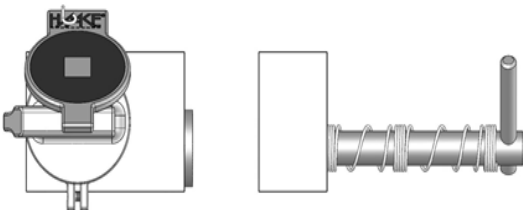
Other applications are prohibited.

Function

Access lock closed:
The Actuator is secured against removal.



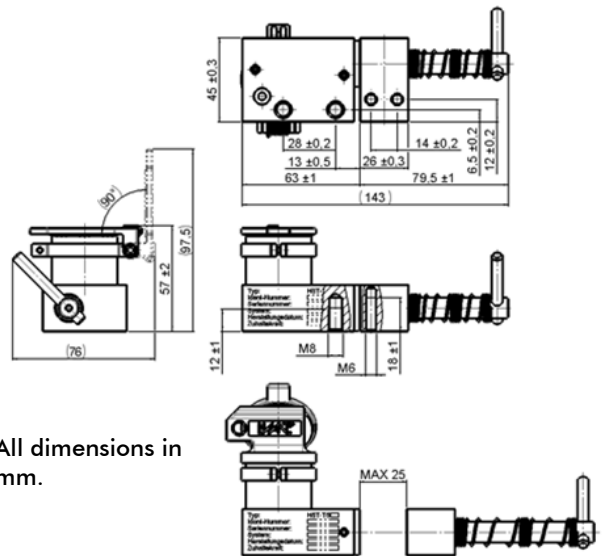
Access lock open:
Key secured against removal.



Technical data

Environment:	Indoor/ outdoor
Temperature range:	-25°C to +80°C
Humidity:	Up to 100% (standard climate)
Material:	Stainless Steel
Ambient atmosphere:	Industrial environments
Mounting position:	All positions
Mechanical service life:	280.000 actuations
Mission time:	15 years
MTTFd:	150 years
Locking pressure:	4000N
Chain length (if available)	240 mm

Dimensions HST-TS1 : Mounting from the back; actuator with mechanical guide



All dimensions in mm.

Figure shows a variant of the access lock. This variant is mounted from the back and includes an actuator with a mechanical guide. The direction of each variant is listed in the following table.

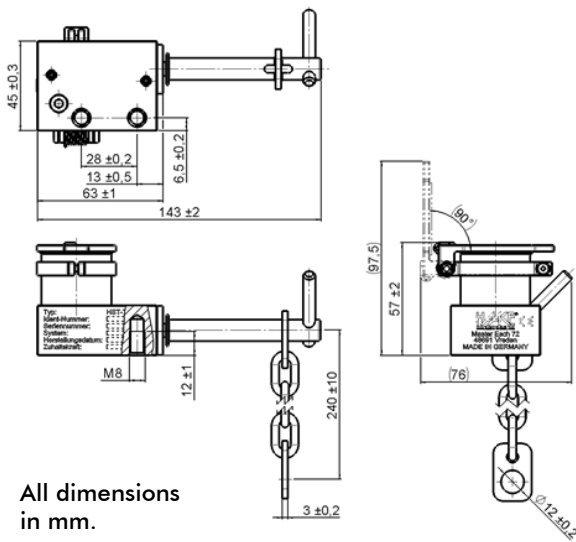
Article	Variation code	Direction
60047	VC0000928	left
60047	VC0000929	right

Table 1: Overview HST-TS1, mounting from the back, actuator with mechanical guide

Haake Technik GmbH info@haake-technik.com
 Master Esch 72 www.haake-technik.com
 48691 Vreden T: +49 (0) 2564 3965 0
 Germany F: +49 (0) 2564 3965 90



Dimensions HST-TS1: Mounting from the back, actuator with chain



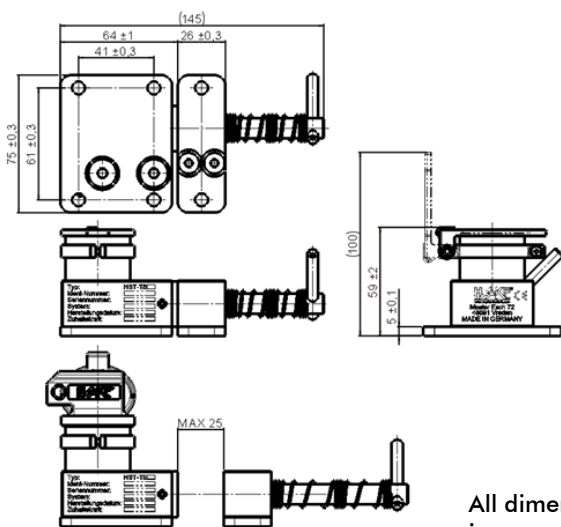
All dimensions in mm.

Figure shows a variant of the access lock. This variant is mounted from the back and includes an Actuator with a chain. The direction of each variant is listed in the following table.

Article	Variation code	Direction
60047	VC0000930	left
60047	VC0000931	right

Table 2: Overview HST-TS1, mounting from the back, actuator with a chain

Dimensions HST-TS1: Mounting from the front, actuator with mechanical guide



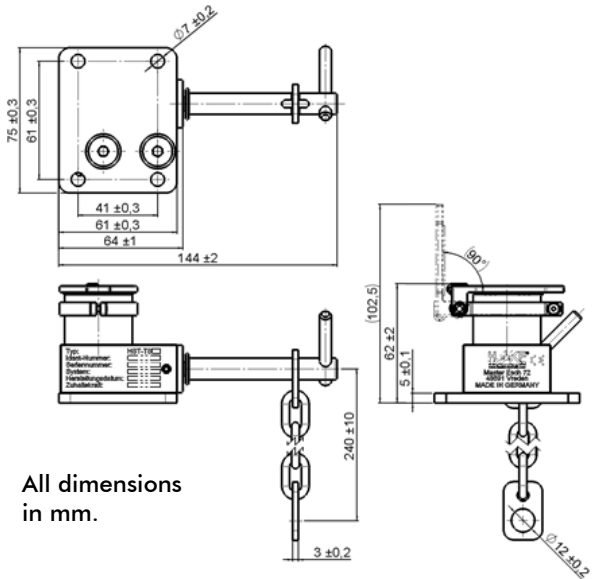
All dimensions in mm.

Figure shows a variant of the access lock. This variant is mounted from the front and includes an Actuator with a conduct. The direction of each variant is listed in the following table.

Article	Variation code	Direction
60047	VC0000932	left
60047	VC0000933	right

Table 3: Overview HST-TS1, mounting from the front, actuator with mechanical guide

Dimensions HST-TS1: Mounting from the front; actuator with chain



All dimensions in mm.

Figure shows a variant of the access lock. This variant is mounted from the front and includes an Actuator with a chain. The direction of each variant is listed in the following table.

Article	Variation code	Direction
60047	VC0000934	left
60047	VC0000935	right

Table 4: Overview HST-TS1, mounting from the front, actuator with a chain



Haake Technik GmbH
 Master Esch 72
 48691 Vreden
 Germany

info@haake-technik.com
 www.haake-technik.com
 T: +49 (0) 2564 3965 0
 F: +49 (0) 2564 3965 90