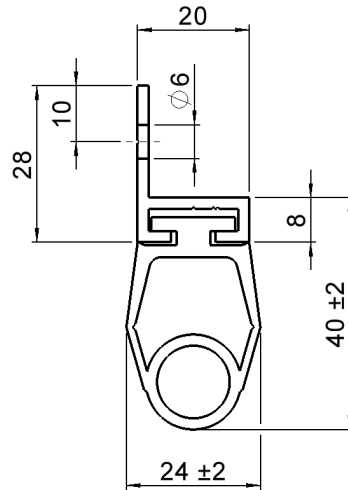


Anfrage

| | | | |
|----------------------------|--|------------|--|
| First and last name | | E-Mail: | |
| Company: | | | |
| Street and no.: | | | |
| Postal code/ ZIP and city: | | Country: | |
| Phone no.: | | Mobil no.: | |



all dimensions in mm

Length and Quantity

| | |
|-------------------|-------------|
| Length: _____ mm* | Qty.: _____ |
|-------------------|-------------|

* max. length: 6000 mm

Ambient conditions

| | | |
|--|-------------------------------------|-----------------------------------|
| At which type of machine will the bumper be mounted? | | |
| | | |
| Is there a medium present? If yes, which one (for instance acids, lyes, oils)? | | |
| | | |
| Where is the application site? | <input type="checkbox"/> indoor | <input type="checkbox"/> outdoor |
| What is the mounting orientation? | <input type="checkbox"/> horizontal | <input type="checkbox"/> vertical |
| What is the stopping travel? | | |
| Temperature range in use? | from -20°C to +55 °C | other temperature range: |
| IP protection class? | | |

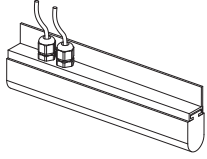
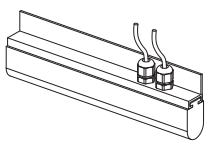
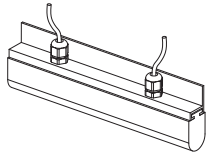
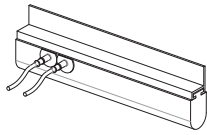
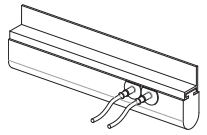
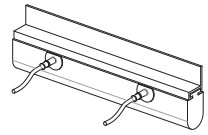
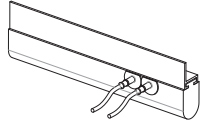
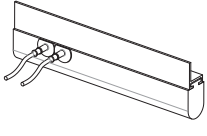
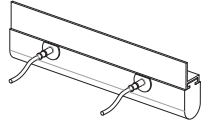
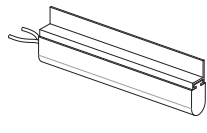
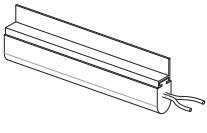
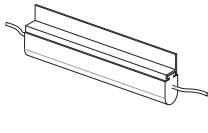
* The stopping travel, also known as overrun distance, describes the braking distance after actuation of the emergency stop until the application to be secured comes to a standstill.



Haake Technik GmbH
 Master Esch 72
 48691 Vreden
 GERMANY

info@haake-technik.com
 www.haake-technik.com
 T: +49 2564 39650
 F: +49 2564 396590

Type and position of cable exit

| | | |
|---|--|--|
| Top | | |
| <input type="checkbox"/>  Top left, x = 50 mm | <input type="checkbox"/>  Top right, x = 50 mm | <input type="checkbox"/>  Top left and right, x = 50 mm |
| At side | | |
| <input type="checkbox"/>  Front left, x = 50 mm | <input type="checkbox"/>  Front right, x = 50 mm | <input type="checkbox"/>  Front left and right, x = 50 mm |
| <input type="checkbox"/>  Rear left, x = 50 mm | <input type="checkbox"/>  Rear right, x = 50 mm | <input type="checkbox"/>  Rear left and right, x = 50 mm |
| Frontal | | |
| <input type="checkbox"/>  Frontal left | <input type="checkbox"/>  Frontal right | <input type="checkbox"/>  Frontal left and right |

Cable length

| | |
|--|---|
| <input type="checkbox"/> 1.000 mm (standard) | <input type="checkbox"/> _____ mm (Upon request, surcharge) |
|--|---|

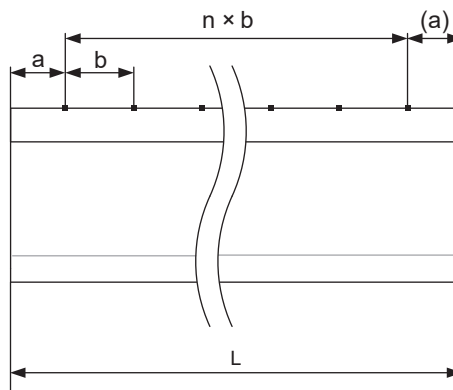
*max. length: 50.000 mm (possible in 500 mm steps)

Mounting possibilities

| | |
|---|--|
| <input type="checkbox"/> No mounting possibilities (made by client) | |
| <input type="checkbox"/> Boreholes $\varnothing = 6$ mm | |
| <input type="checkbox"/> Oblong holes 7.5×21 mm | |

Dimensions

| | |
|---|---|
| Mounting dimensions are specified by variables a and b. a is for first and last distances (symmetrical design) and b is for intermediate distances. | |
| <input type="checkbox"/> Selected by manufacturer | <input type="checkbox"/> Own distances a = ___ b = ___ mm |



Additional information

Please describe your safety application. Additional specifications can be named here.

Please note, the following links will only work with the Adobe Acrobat Reader:

If you don't have an Acrobat Reader, you can send us the filled formular as an attachment to the following

E-Mail address: info@haake-technik.com



Haake Technik GmbH
Master Esch 72
48691 Vreden
GERMANY

info@haake-technik.com
www.haake-technik.com
T: +49 2564 39650
F: +49 2564 396590