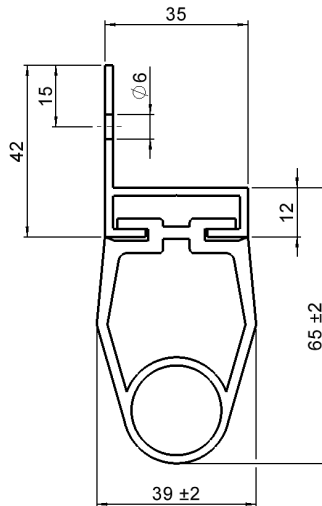


Anfrage

First and last name		E-Mail:	
Company:			
Street and no.:			
Postal code/ ZIP and city:		Country:	
Phone no.:		Mobil no.:	



all dimensions in mm

Length and Quantity

Length: _____ mm*	Qty.: _____
-------------------	-------------

* max. length: 6000 mm

Ambient conditions

At which type of machine will the bumper be mounted?		
Is there a medium present? If yes, which one (for instance acids, lyes, oils)?		
Where is the application site?	<input type="checkbox"/> indoor	<input type="checkbox"/> outdoor
What is the mounting orientation?	<input type="checkbox"/> horizontal	<input type="checkbox"/> vertical
What is the stopping travel?		
Temperature range in use?	from -20°C to +55 °C	other temperature range:
IP protection class?		

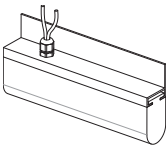
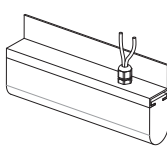
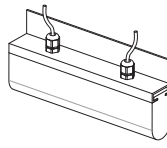
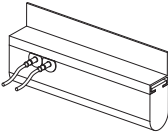
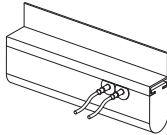
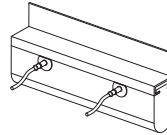
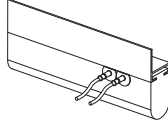
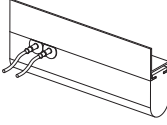
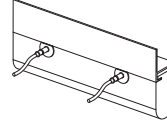
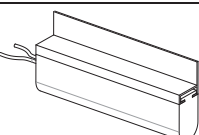
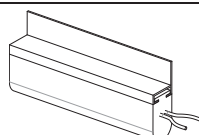
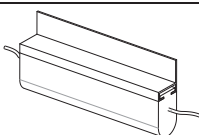
* The stopping travel, also known as overrun distance, describes the braking distance after actuation of the emergency stop until the application to be secured comes to a standstill.



Haake Technik GmbH
 Master Esch 72
 48691 Vreden
 GERMANY

info@haake-technik.com
 www.haake-technik.com
 T: +49 2564 39650
 F: +49 2564 396590

Type and position of cable exit

Top		
<input type="checkbox"/>  Top left, x = 50 mm	<input type="checkbox"/>  Top right, x = 50 mm	<input type="checkbox"/>  Top left and right, x = 50 mm
At side		
<input type="checkbox"/>  Front left, x = 50 mm	<input type="checkbox"/>  Front right, x = 50 mm	<input type="checkbox"/>  Front left and right, x = 50 mm
<input type="checkbox"/>  Rear left, x = 50 mm	<input type="checkbox"/>  Rear right, x = 50 mm	<input type="checkbox"/>  Rear left and right, x = 50 mm
Frontal		
<input type="checkbox"/>  Frontal left	<input type="checkbox"/>  Frontal right	<input type="checkbox"/>  Frontal left and right

Cable length

<input type="checkbox"/> 1.000 mm (standard)	<input type="checkbox"/> _____ mm (Upon request, surcharge)
--	---

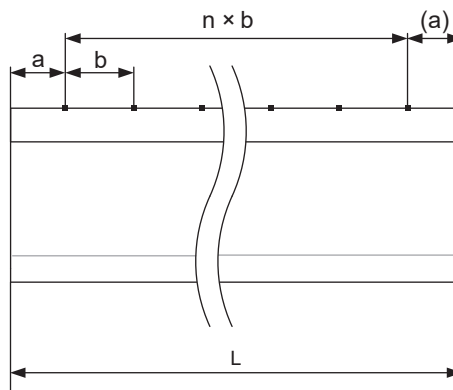
*max. length: 50.000 mm (possible in 500 mm steps)

Mounting possibilities

<input type="checkbox"/> No mounting possibilities (made by client)	
<input type="checkbox"/> Boreholes $\varnothing = 6$ mm	
<input type="checkbox"/> Oblong holes 7.5×21 mm	

Dimensions

Mounting dimensions are specified by variables a and b. a is for first and last distances (symmetrical design) and b is for intermediate distances.	
<input type="checkbox"/> Selected by manufacturer	<input type="checkbox"/> Own distances a = ___ b = ___ mm



Additional information

Please describe your safety application. Additional specifications can be named here.

Please note, the following links will only work with the Adobe Acrobat Reader:

If you don't have an Acrobat Reader, you can send us the filled formular as an attachement to the following

E-Mail address: info@haake-technik.com



Haake Technik GmbH
Master Esch 72
48691 Vreden
GERMANY

info@haake-technik.com
www.haake-technik.com
T: +49 2564 39650
F: +49 2564 396590