

Technical data

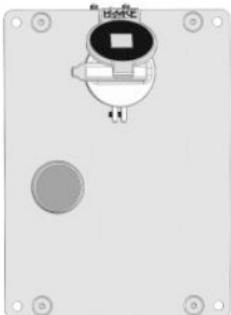
Environment:	Indoor / outdoor
Temperature range:	-25°C to + 40°C
Humidity	to 100% (standard climate)
Material	
Lock:	stainless steel
Mounting plate:	galvanised steel
Earthing plate:	galvanised steel
Housing:	powder-coated sheet steel
Ambient atmosphere:	industrial environments
Mounting position:	all
Mechanical service life:	
Lock:	280.000 actuations
Switch:	1.000.000 actuations
Service life:	15 years
B10d-values:	
Switch; rated operating current 16/20 A:	36.000 switching operations
Switch: for 24 V DC and 0,21 A:	1.000.000 (in conjunction with PNOZ X3)
Mean Time To Failure (MTTFd):	Application-dependant
Protection class:	IP 2x
Reference standard for rotary switch:	EN 60947-3

Intended Use

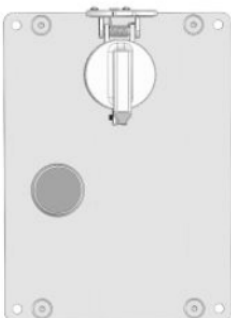
The Switching element with locking mechanism HST-M1 is used to switch off the power supply to the load circuits of machines or plants with shut-off delays, with rated currents up to 20A.

Other applications are prohibited.

Structure and function



Position 1:
Switch key blocked by locking mechanism. Key cannot be removed.



Position 0:
Switch key unblocked and can be removed

Ident.-No.	Contacts	Nominal Voltage
10213	2 NC / 2 NO	24 VDC
10215	2 NC / 2 NO	220 VDC
10216	2 NC / 2 NO	230 VAC
10217	4 NC	24 VDC

Dimensions Ident.-No: 10213, 10215, 10216, 10217

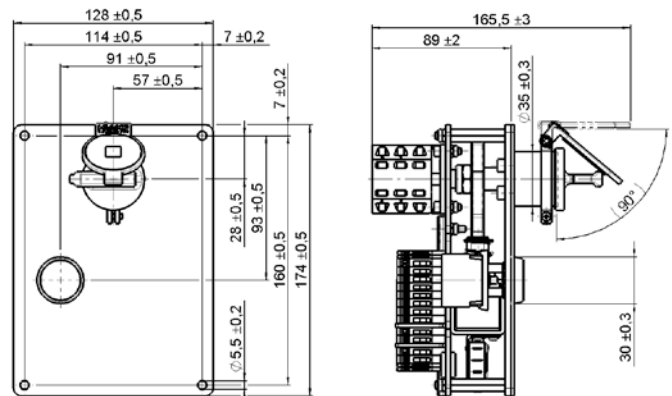


Figure shows HST-M1 Ident. No.: 10213

Dimensional specifications in mm.



Haake Technik GmbH
Master Esch 72
48691 Vreden
GERMANY

info@haake-technik.com
www.haake-technik.com
T: + 49 2564 39650
F: + 49 2564 396590