

Technical Data

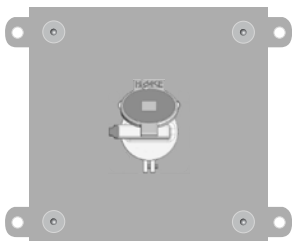
Environment:	Indoor / outdoor
Temperature range:	-25°C to + 40°C
Humidity	o 100% (standard climate)
Material	
Lock:	stainless steel
Mounting plate:	galvanised steel
Earthing plate:	galvanised steel
Housing:	powder-coated sheet steel
Ambient atmosphere:	industrial environments
Mounting position:	all positions
Mechanical service life:	
Lock:	280.000 actuations
Switch:	1.000.000 actuations
Service life:	15 years
B10d-values:	
Switch; rated operating current 16/20 A:	36.000 switching operations
Switch: for 24 V DC and 0,21 A:	1.000.000 (in conjunction with PNOZ X3)
Mean Time To Failure (MTTFd):	Application-dependant
Protection class:	IP 65
Reference standard for rotary switch:	EN 60947-3

Intended use

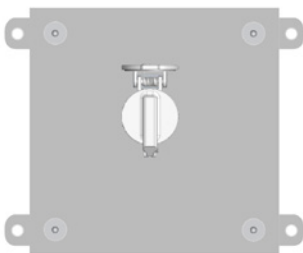
The Switching element with locking mechanism HST-S1 is used to switch off the power supply to the load circuits of machines or plants without shutoff delays, with rated currents up to 20A.

Other applications are prohibited.

Structure and function

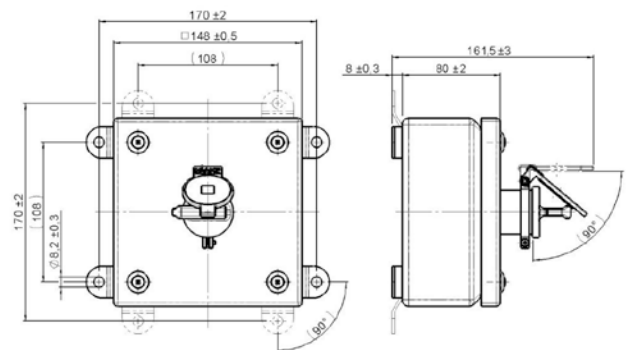


Position 1
Switch key cannot be removed.



Position 0:
Switch key can be removed.

Dimensions Ident.-No: 10228, 10229, 10230



Ident.-No.	Contacts	Amperage
10228	1 NC / 1 NO	20 A
10229	2 NC / 2 NO	20 A
10230	4 NC	20 A

Figure shows HST-S1 Ident.-No.: 10228

Dimensional specifications in mm.



Haake Technik GmbH
Master Esch 72
48691 Vreden
GERMANY

info@haake-technik.com
www.haake-technik.com
T: + 49 2564 39650
F: + 49 2564 396590